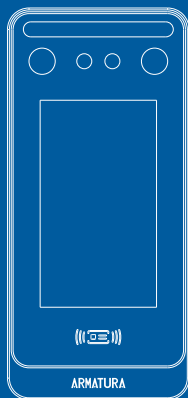


# OmniAC30CAPQ

## Installation Guide

Version: 1.2



# How to Install the Device?

## Installation Environment

Please refer to the following recommendations for installation.



KEEP DISTANCE



AVOID GLASS REFRACTION



AVOID DIRECT SUNLIGHT AND EXPOSURE

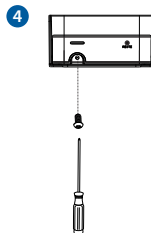
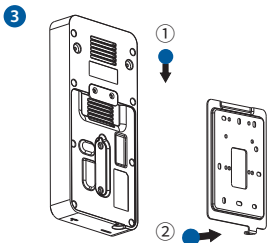
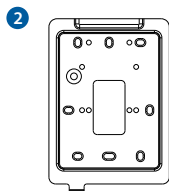
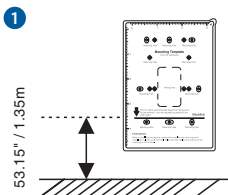


KEEP EFFECTIVE DISTANCE 0.3-2.5m

## Device Installation

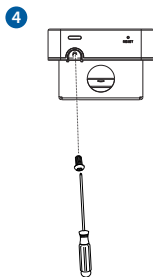
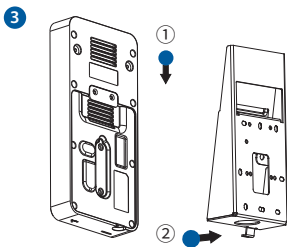
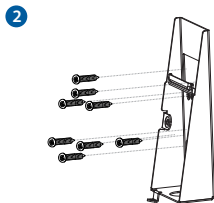
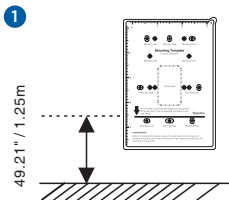
### ● With Backplate ★:

1. Attach the mounting template sticker to the wall, and drill holes according to the mounting paper.
2. Fix the Backplate on the wall using wall mounting screws.
3. Attach the device to the Backplate.
4. Fasten the device to the Backplate with a security screw.



## ● With Back Cover:

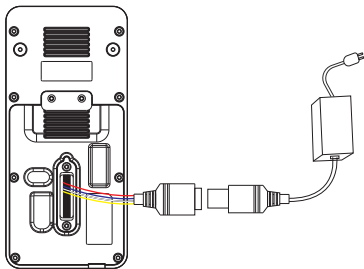
1. Attach the mounting template sticker to the wall, and drill holes according to the mounting paper.
2. Fix the Back Cover on the wall using wall mounting screws.
3. Attach the device to the Back Cover.
4. Fasten the device to the Back Cover with a security screw.



**Note:** Features and parameters with ★ mark are not available in all devices.

# Wiring Diagram

## Power Connection

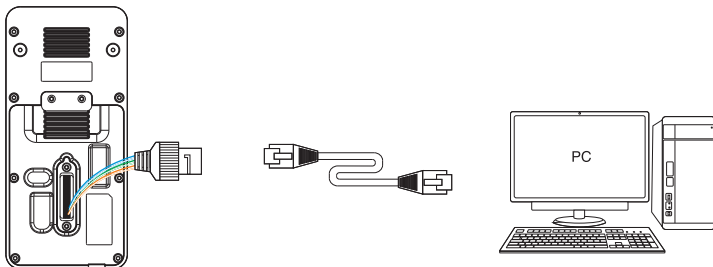


### Recommended AC Adapter

- 1)  $12V \pm 10\%$ , at least 3A.
- 2) To share the power with other devices, use an AC Adapter with higher current ratings.

## Ethernet Connection

Connect the device and computer software over an Ethernet cable. As shown in the example below:



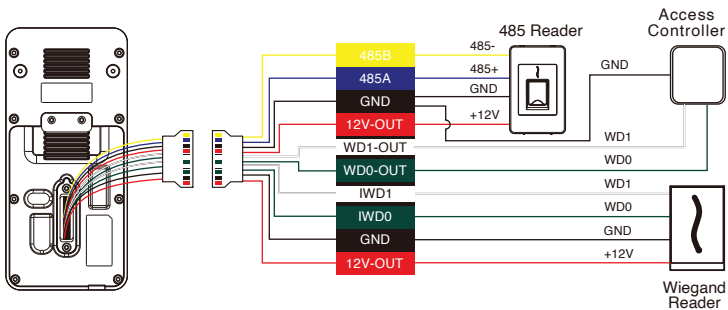
Default IP address: 192.168.1.201  
Subnet mask: 255.255.255.0

IP address: 192.168.1.130  
Subnet mask: 255.255.255.0

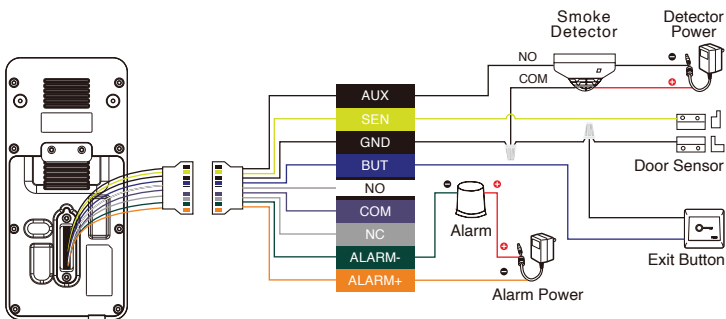
Click on [COMM.] > [Ethernet] > [IP Address], input the IP address and click on [OK].

**Note:** In LAN, the IP addresses of the server (PC) and the device must be in the same network segment when connecting to the software.

## Wiegand Reader and RS485 Connection



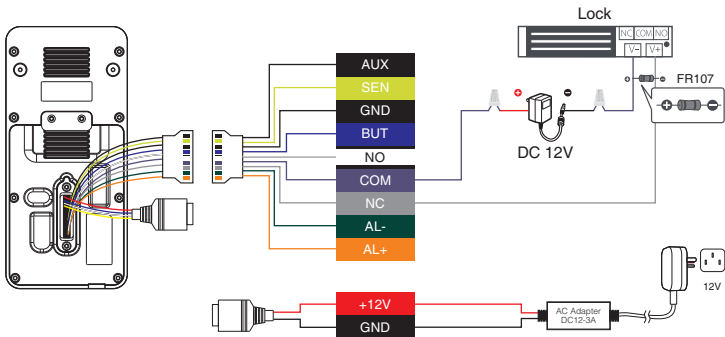
## Door Sensor, Exit Button, Auxiliary Connection



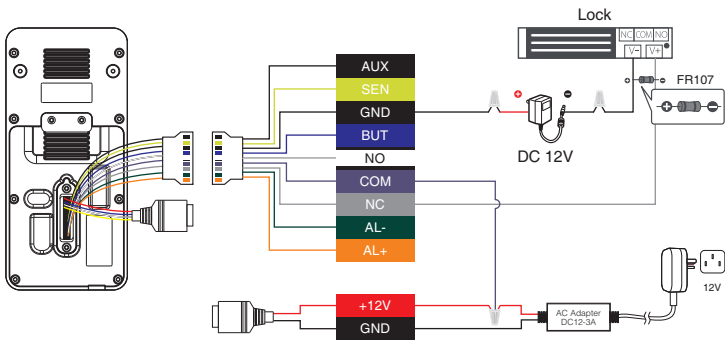
## Lock Relay Connection

The system supports **Normally Opened Lock** and **Normally Closed Lock**. The **NO LOCK** (normally unlocked when power-on) is connected with 'NO' and 'COM' terminals, and the **NC LOCK** (normally locked when power-on) is connected with 'NC' and 'COM' terminals. Take NC Lock as an example below:

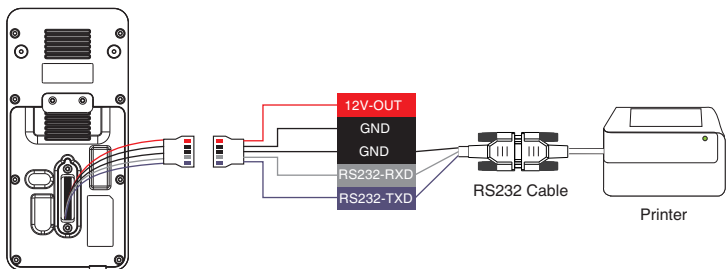
### 1) Device not sharing power with the lock



### 2) Device sharing power with the lock



## Printer Connection



# ARMATURA

---

ARMATURA LLC    [www.armatura.us](http://www.armatura.us)    E-mail:[sales@armatura.us](mailto:sales@armatura.us)  
Copyright © 2024 ARMATURA LLC. All rights reserved.